

**MOTOR SPECIFICATION SHEET**

MODEL : SF-JRB 2HP 4P (LT)

USED FOR : BRAKE MOTOR

DESCRIPTION	DETAIL					
PHASE	3					
MODEL NAME	SF-JRB					
RATED OUTPUT, HP (kW)	2 (1.5)					
POLE	4					
CODE	MEATH CODE : 1M002W-400150LBFY0					
OUTLINE DRAWING NO.	OMM94O101-A					
RATED VOLTAGE (V)	220	380	415	220	440	
RATED FREQUENCY (Hz)	50	50	50	60	60	
RATED CURRENT (A)	5.9	3.4	3.4	5.5	3.1	
RATED SPEED (min <sup>-1</sup> )	1430	1430	1440	1710	1730	
THERMAL CLASS	155(F)					
RATING	S1 (CONTINUOUS)					
ENCLOSURE CONSTRUCTION	TOTALLY ENCLOSED FAN COOLED					
DEGREES OF PROTECTION	IP55					
METHOD OF COOLING	IC411					
FRAME NO.	90L					
WEIGHT (kg)	25					
STANDARD	IEC 60034-1, JEC-2137-2000					
INSTALLATION	FOOT MOUNTED					
ROTATION	CCW (VIEWED FROM SHAFT END)					
BEARING	LOAD SIDE : 6205ZZ					
	OPPOSITE SIDE : 6205ZZ					
BEARING GREASE	UREA GREASE					
NOISE (db.A)	67 (RUNNING OPERATION)					
VIBRATION	V30					
CIRCUMSTANCE CONDITION	AMBIENT TEMPERATURE : -20 ~ +40°C					
	AMBIENT HUMIDITY : 95%RH OR LESS					
	ABOVE SEA LEVEL : 1000m OR LESS					
	ENVIRONMENT : NO BURSTING/EROSIVE GAS OR VAPOR					
COLOR	MUNSELL N5.5 (GRAY)					
TERMINAL BOX	NO. OF LEAD WIRES : 6					
	SOURCE CONNECTION : TERMINAL BLOCK					
INSULATION RESISTANCE	BY DC 500V MEGGER - ≥100MΩ					
DIELECTRIC TEST	AC 50Hz 1800V - 1min. (Based on rated voltage 380V)					
SHAFT SWING	≤0.03mm					
MATERIAL	FRAME : STEEL PLATE					
	BRACKET LOAD SIDE : ALUMINIUM					
	OPPOSITE SIDE : CAST IRON					
	SHAFT : CARBON STEEL					
	STATOR CORE : ELECTRICAL STEEL					
	WIRE : ENAMELLED COPPER MAGNET WIRE					
	INSULATOR : POLYESTER FILM					
	VARNISH : EPOXY DENATURALIZATION POLYESTER					
	ROTOR CORE : ELECTRICAL STEEL					
	CONDUCTOR : ALUMINIUM					
	TERMINAL BOX : STEEL PLATE					
	PAINTING : POLYURETHANE RESIN					
	BRAKE	TYPE : TB-A1.5 (DC)				
RATED BRAKING TORQUE : 15 N.m						
ELECTROMAGNETIC STROKE : INITIAL = 0.2 mm., ADJUSTABLE LIMIT = 0.5 mm.						
PRODUCTION COUNTRY	THAILAND					

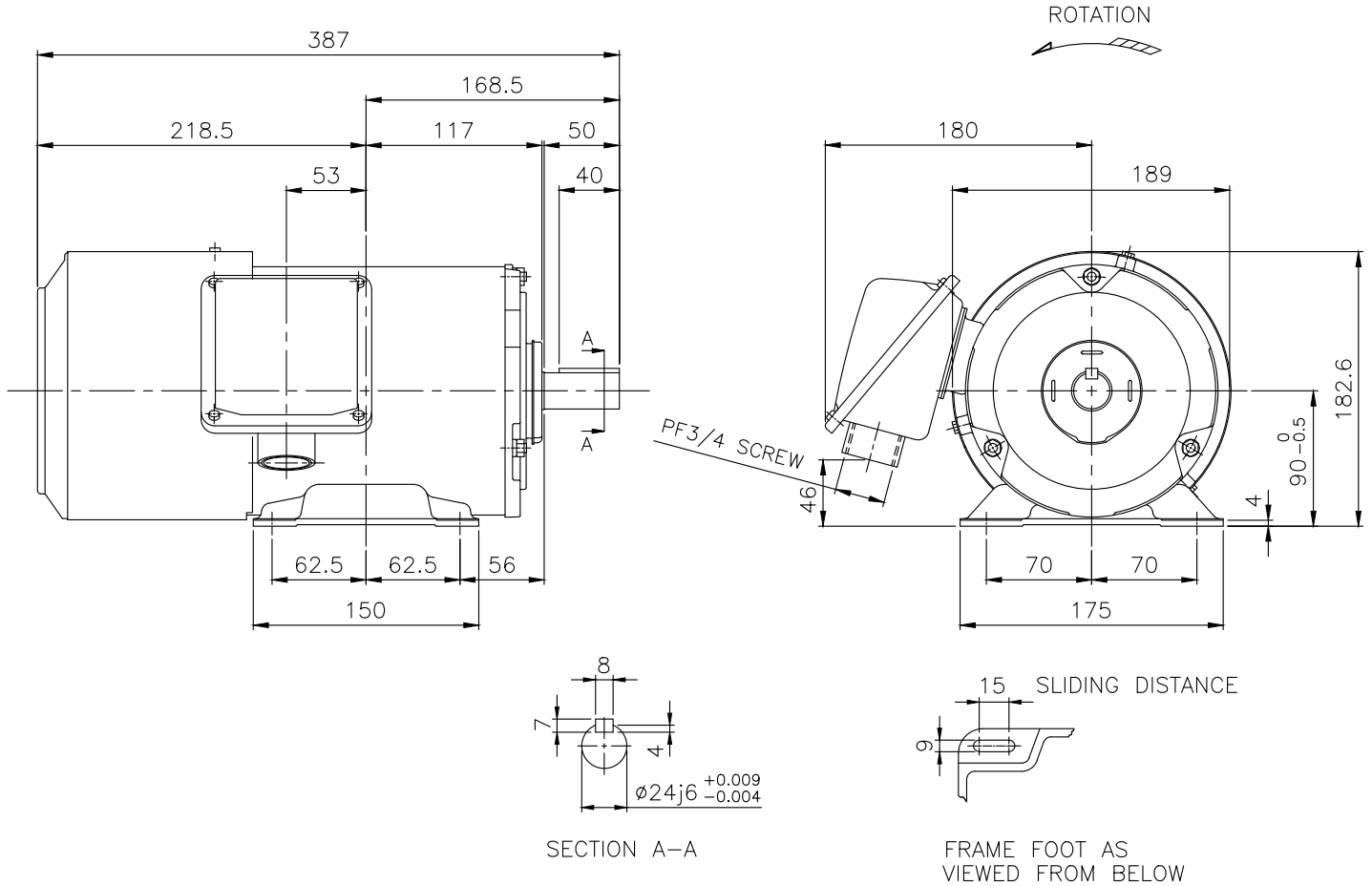
Specifications subject to change without notice.

<b>SPECIFICATION SHEET NO.</b>				
SS-M-9312-A				

MODEL SF-JRB THREE PHASE INDUCTION MOTOR OUTLINE DRAWING

TOTALLY ENCLOSED FAN COOLED  
 DEGREES OF PROTECTION IP55  
 DUST & WATER JET PROOF  
 HORIZONTAL TYPE BRAKE MOTOR

CUSTOMER \_\_\_\_\_  
 USER \_\_\_\_\_  
 FOR \_\_\_\_\_  
 CUSTOMER'S ORDER NO. \_\_\_\_\_  
 QUANTITY \_\_\_\_\_  
 MFG. ORDER NO. \_\_\_\_\_

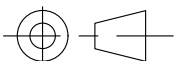


BRAKE TYPE	RATED DAMPING TORQUE(N.m)	ELECTROMAGNETIC STROKE(mm.)	
		INITIAL	ADJUSTABLE LIMIT
TB-A1.5	15	0.2	0.5

YOUR ORDER	FRAME SIZE	RATING	TH. CLASS	AMB. TEMP.	BEARINGS		COLOR	DIRECTION OF ROTATION (VIEWED FROM SHAFT END)	NO. OF LEAD WIRES	REMARKS
					LOAD SIDE	OPP. SIDE				
	90L	S1 (CONT.)	155(F)	40°C	6205ZZ	6205ZZ	GRAY (MUNSELL N5.5)	CCW	6	

YOUR ORDER	OUTPUT		POLES	VOLT	HERTZ	REMARKS
	HP	kw				
	2	1.5	4	220/380/415	50	LT
				220/440	60	
	1	0.75	6	220/380/415	50	LT
				220/440	60	

MITSUBISHI ELECTRIC AUTOMATION (THAILAND) CO., LTD.



DIMENSION IN mm.

SCALE : NTS

OUTLINE DRAWING NO.

0 M M 9 4 0 1 0 1

REV.

A